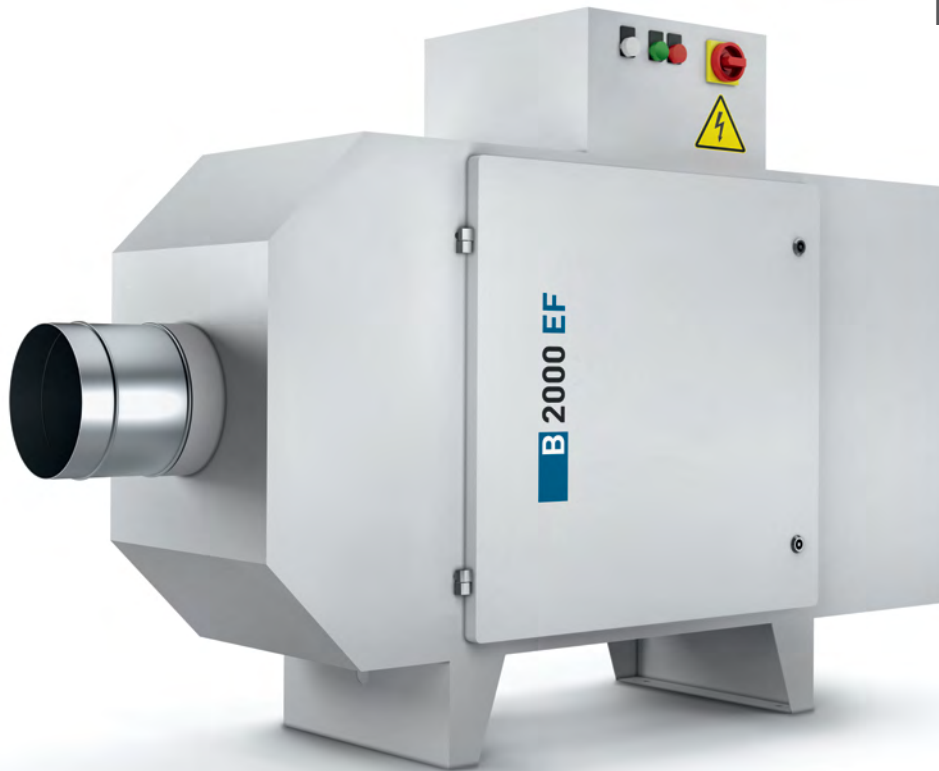


Breathe pure air



Individual filter B 2000 is the optimum solution for the powerful separation of contaminants in highly polluted air volumes of up to 2000 m³/h, especially for oil smoke, oil and emulsion mist. The easy-to-install sturdy and compact filter requires only 0.57 m² of space on or next to a machine tool. Also works perfectly as an island solution for multiple machines.

Technical Data Sheet

B 2000 EF | B 2000 EFT | B 2000 MF

Functional principle and design of electrostatic filters based on the example of model B 1000 EF
Air direction horizontal from left to right

1 Inlet port, 2 Baffle plate, 3 Pre-filter stainless steel mesh, 4 Ionizer/collector cell (2 each in tandem models), 5 After filter stainless steel mesh, 6 Control unit



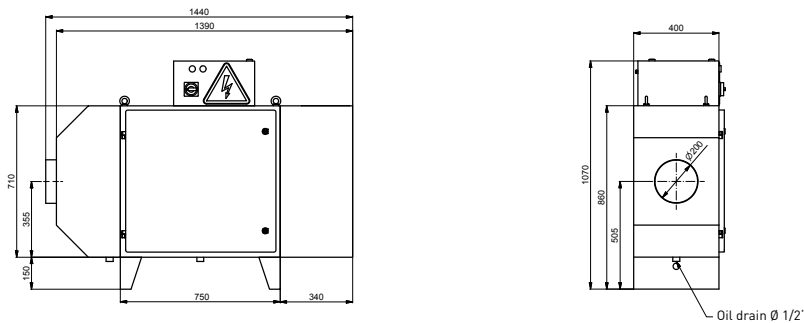
	B 2000 EF	B 2000 EFT	B 2000 MF
Air volume up to m ³ /h	2000	2000	2000
Operating pressure Pa	200	200	200
Mains connection kW	0.75	0.75	0.75
Air inlet port Ø mm	200	200	200
Length mm	1440	1940	1440
Width mm	425	425	425
Height mm	860	860	860
Weight filter kg	160	220	160
Ionizer/collector quantity/type	Sep. cells per 1	Sep. cells per 2	-
Application kV	12-6	12-6	-
Plate distance mm	8	8	-
Filter surface m ²	15	2 x 15	28
Dim. ionizer W/H/D mm	395 x 610 x 106	395 x 610 x 106	-
Dim. collector W/H/D mm	395 x 610 x 325	395 x 610 x 325	395 x 610 x 325
Weight filter cell kg	17	2 x 17	-
Noise level db	72	72	72
MF filter cell class	-	-	Oil/water repellant F9

If you have any further questions regarding filter classes and types, usage examples, support and services or if you need project specific quotes, we will be pleased to assist you.

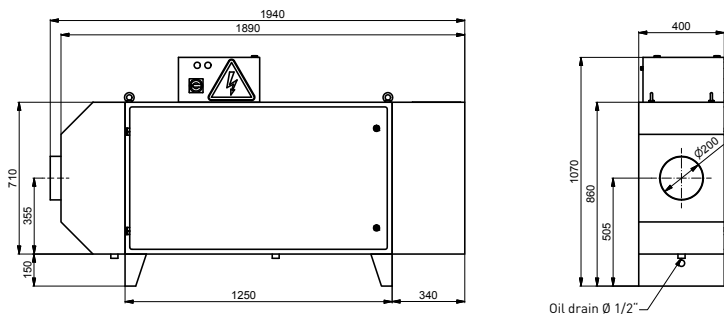
Please contact us directly.
Telephone
Project Management
+49 (0)9868 9826-0.

Or send an e-mail to
info@bristolfilter.de.

Optional air direction horizontal from left/right or right/left. Adaptation to country specific mains voltage is possible for all filters.



Side and frontal view individual filters B 2000 EF | B 2000 MF



Side and frontal view tandem individual filter B 2000 EFT

Electrostatic air filters · Mechanical air filters
Complete solutions · Service

Bristol T&G International GmbH · Am Sägewerk 1 · D-91601 Dombühl
Telephone +49 (0)9868 9826-0 · info@bristolfilter.de · www.bristolfilter.de

Bristol

Breathe pure air