

Breathe pure air



Individual filter B 500 has been designed for small machine tools. It requires only 0.23–0.3 m² of set-up space and can be flexibly installed on or beside a machine. Developed for the energy efficient and powerful filtering of particles of up to 0.1 µm from air volumes of 300 to 500 m³/h – the optimum solution for oil smoke as well as oil and emulsion mist.

Technical Data Sheet

B 500 EF | B 500 EFT | B 500 MF

Functional principle and design of electrostatic filters based on the example of model B 1000 EF
Air direction horizontal from left to right

1 Inlet port, 2 Baffle plate, 3 Pre-filter stainless steel mesh, 4 Ionizer/collector cell (2 each in tandem models), 5 After filter stainless steel mesh, 6 Control unit



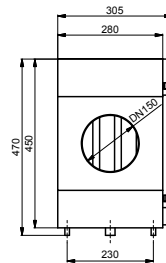
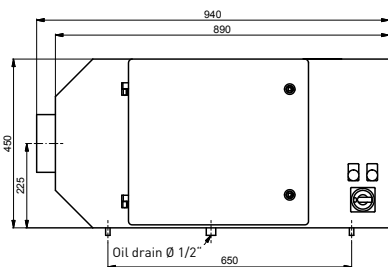
	B 500 EF	B 500 EFT	B 500 MF
Air volume up to m³/h	500	500	500
Operating pressure Pa	150	150	150
Mains connection kW	0.2	0.2	0.2
Air inlet port Ø mm	150	150	150
Length mm	940	1100	940
Width mm	305	305	305
Height mm	470	515	470
Weight filter kg	50	80	50
Ionizer/collector quantity/type	1 combined cell	2 combined cells	–
Application kV	7	7	–
Plate distance mm	6	6	–
Filter surface m²	3	2 x 3	2.5
Dimensions W/H/D mm	255 x 375 x 210	255 x 375 x 210	255 x 375 x 96
Weight filter cell kg	5	2 x 5	–
Noise level db	65	65	65
MF filter cell class	–	–	F7

If you have any further questions regarding filter classes and types, usage examples, support and services or if you need project specific quotes, we will be pleased to assist you.

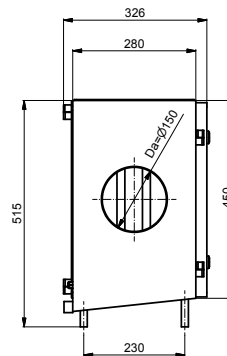
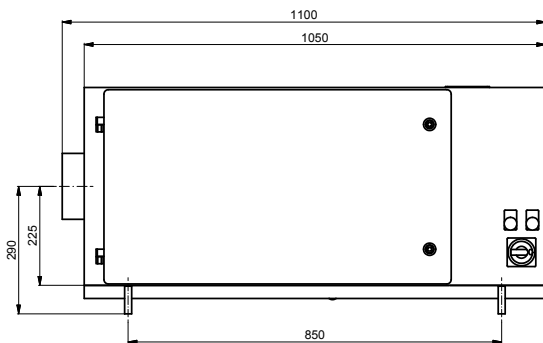
Please contact us directly.
Telephone
Project Management
+49 (0)9868 9826-0.

Or send an e-mail to
info@bristolfilter.de.

Optional air direction horizontal from left/right or right/left. Adaptation to country specific mains voltage is possible for all filters.



Side and frontal view individual filters B 500 EF | B 500 MF



Side and frontal view tandem individual filter B 500 EFT

Electrostatic air filters · Mechanical air filters
Complete solutions · Service

Bristol T&G International GmbH · Am Sägewerk 1 · D-91601 Dombühl
Telephone +49 (0)9868 9826-0 · info@bristolfilter.de · www.bristolfilter.de

Bristol

Breathe pure air